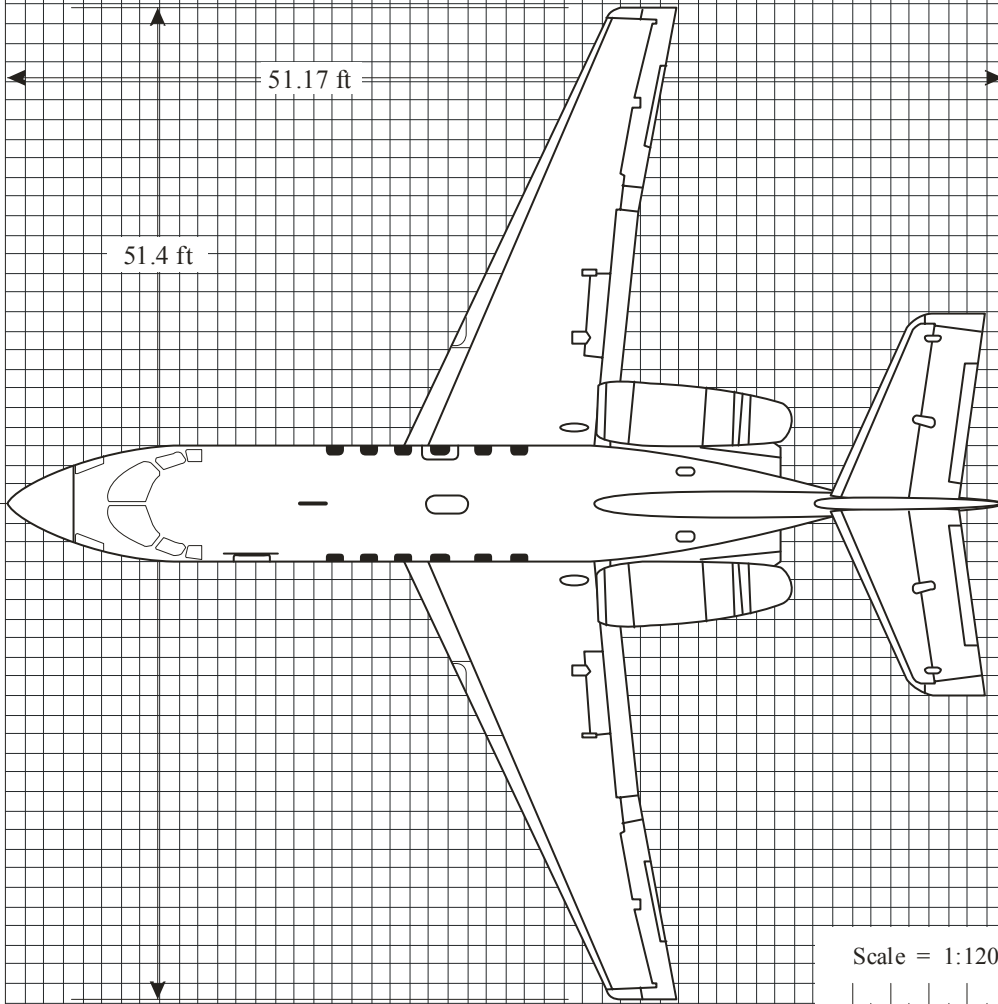
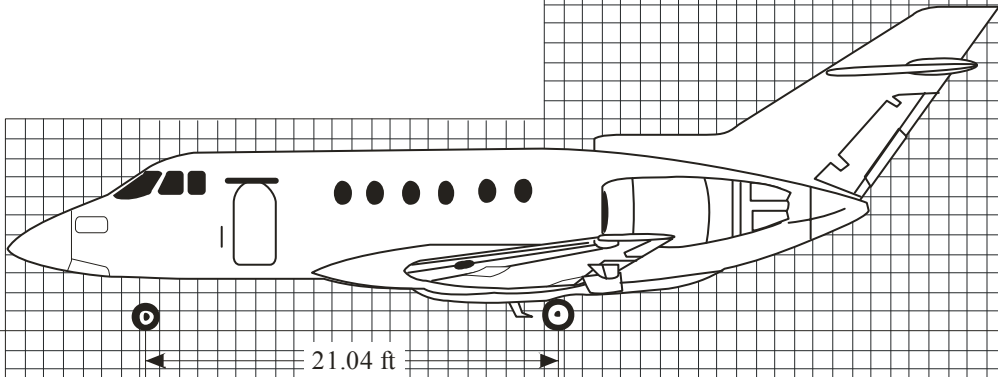


# EXTERIOR

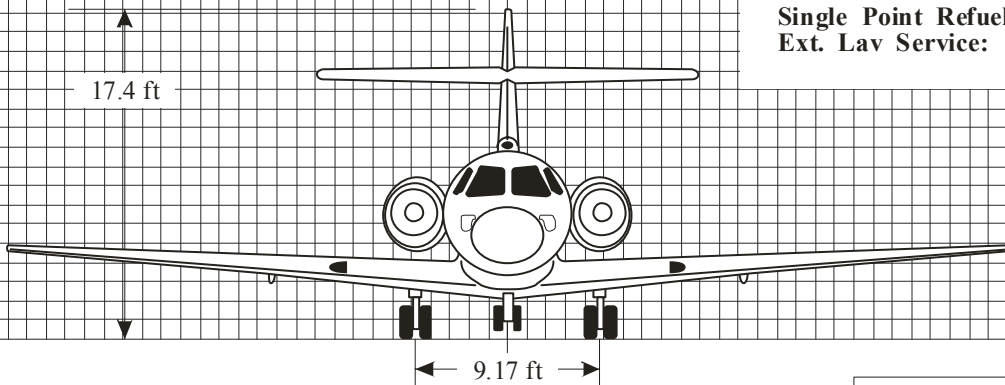
HAWKER  
800XP



Scale = 1:120



Aux Power Unit: Std.  
Single Point Refuel: Std.  
Ext. Lav Service: Std.

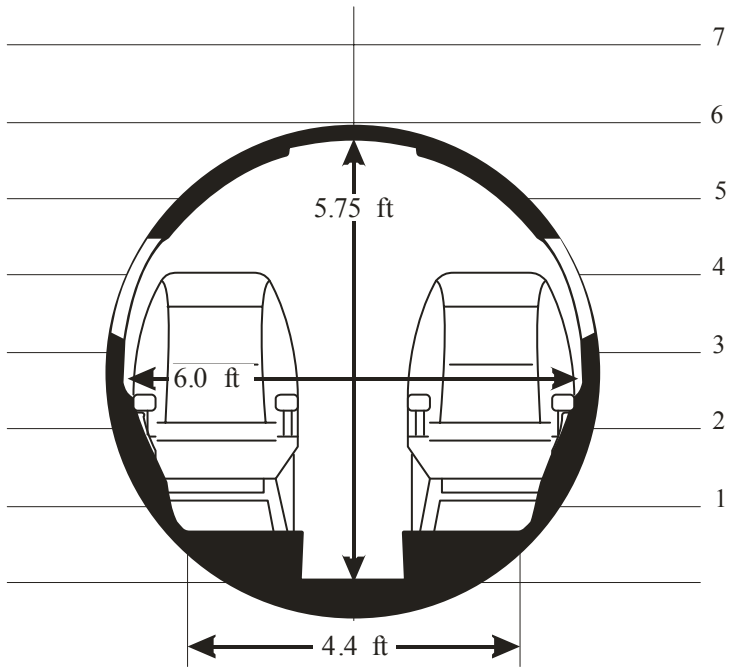


12-03A-2R5

# INTERIOR

Scale = 1:60

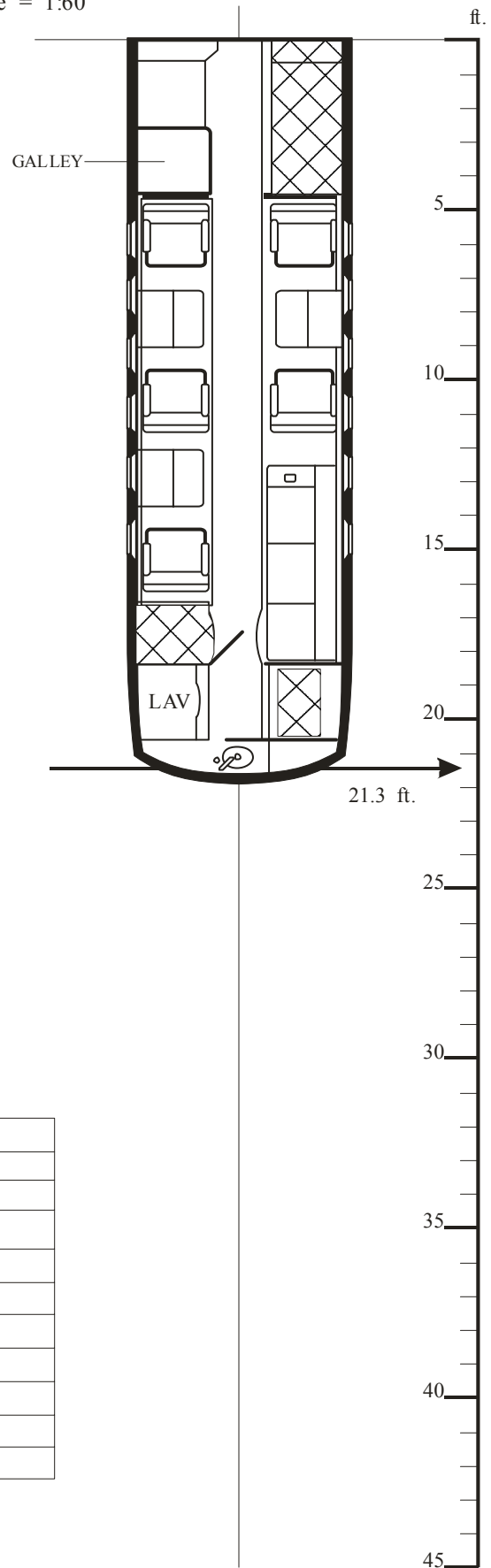
Scale = 1:30



- Normal Seating :** 8
- Floor Area :** 92 sq. ft.
- Cabin Volume :** 604 cu. ft.
- Baggage Volume :** 48 cu. ft.

 **Baggage**

AVIONICS		
Collins Pro-Line 21		
EQUIPMENT		
Cockpit Voice Recorder	Standard	
Flight Data Recorder	Optional	
EICAS	Standard	
Ground Warning Sys	EGPWS	
Traffic Warning Sys	TCAS II	
Maint Diagnostic Sys	Standard	
VHF 8.33 Khz Spacing	Standard	
RVSM Certified	Yes	



**HAWKER  
800XP**