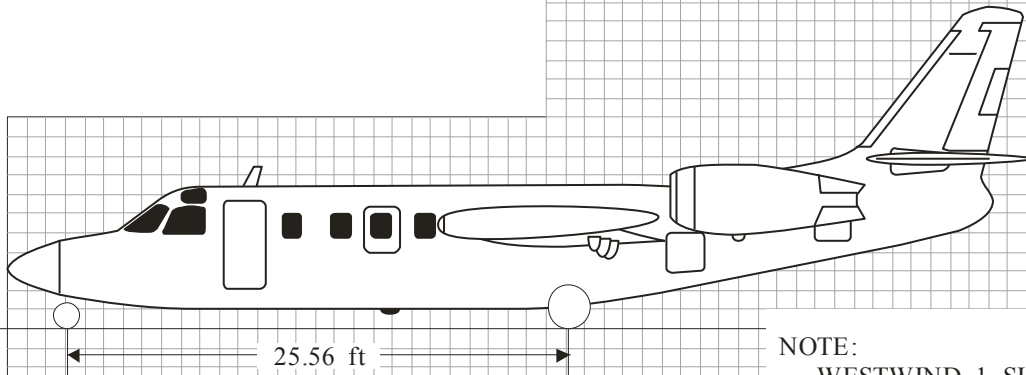
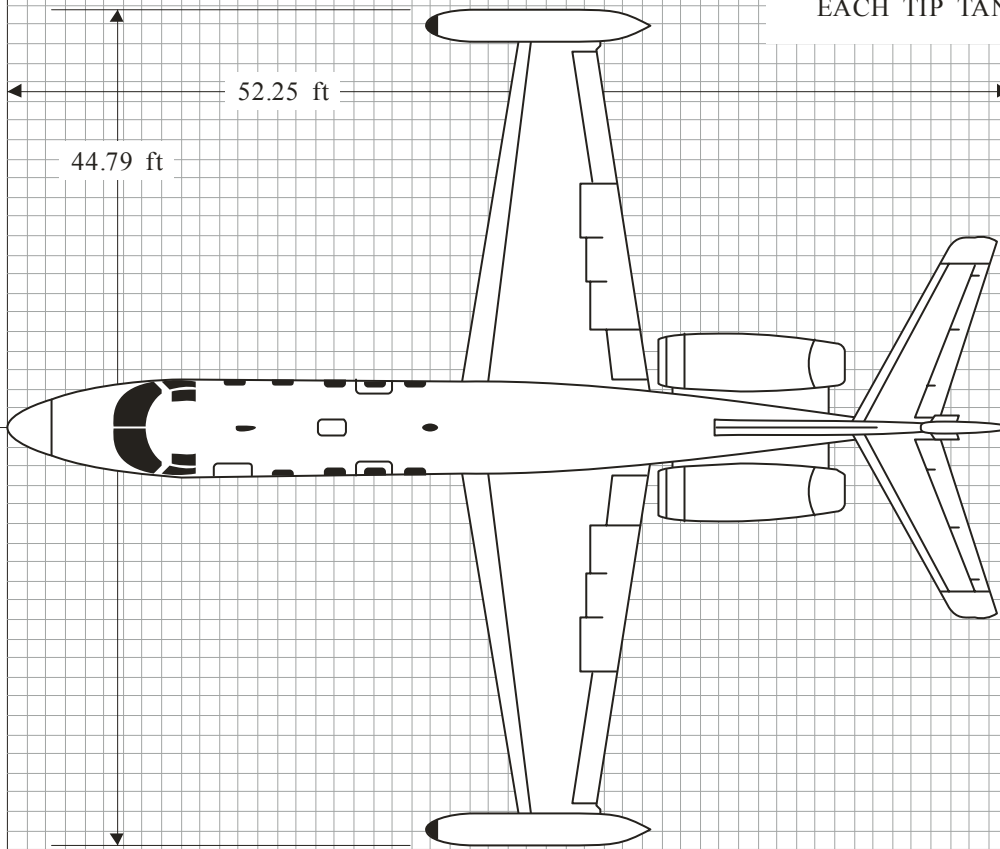


EXTERIOR

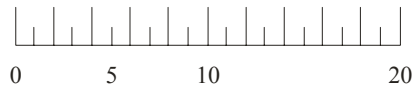
WESTWIND 1/2



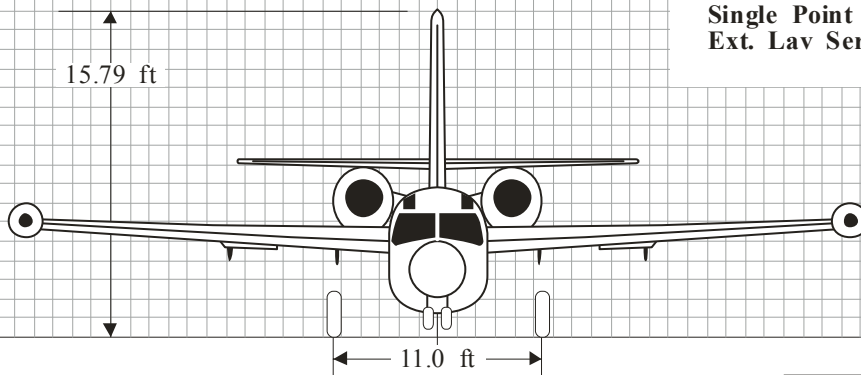
NOTE:
WESTWIND 1 SHOWN,
WESTWIND 2 IS THE SAME
WITH THE ADDITION OF
WINGLETS MOUNTED ON
EACH TIP TANK.



Scale = 1:120



Aux Power Unit: N/A
Single Point Refuel: Std.
Ext. Lav Service: N/A



09-03-2